

**RM-22/24VAC/DC KL.BZ.EN OUTPUT RELAY**

IN: 24 VAC/DC - OUT: 250 VAC/DC / 5 A

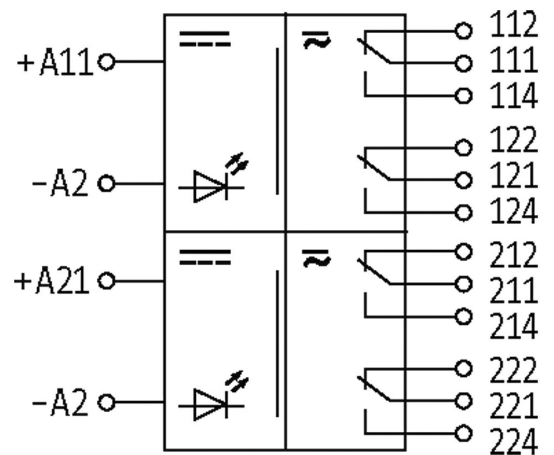
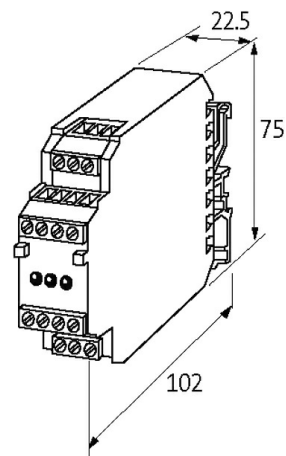
2 relays; each 2 NO/NC contacts

8 A

24 V DC

Screw terminals

**Illustration**



Product may differ from Image

Input	
Connection voltage - current	24 V AC/DC (19.2...30 V AC/DC) - 14 mA
LED display	LED (red)
Output	
Switching voltage	max. 250 V AC/DC
Switching current per output	max. 8 A
Min. load current	100 mA
Power rating (voltage dependent)	max. 1250 VA/240 W
Switching frequency	max. 0.1 Hz (with load)

Contact material	Ag Ni 0.15 hv
------------------	---------------

Energize/release/contact bounce time	10/10/2 ms
--------------------------------------	------------

**Utilization category**

AC-1	8 A (24/110/230 V AC)
------	-----------------------

AC-15	3 A (24/110/230 V AC)
-------	-----------------------

DC-13	2 A (24 V DC); 0.3 A (110 V DC); 0.2 A (230 V DC)
-------	---

**General data**

Mech./ elect. life	20 000 000 switching cycles/load dependent
--------------------	--

Test isolation voltage	4.0 kV
------------------------	--------

Mounting method	DIN-rail mountable TH35 or G32 (EN 60715)
-----------------	---

Temperature range	-20...+50 °C
-------------------	--------------

Dimensions H×W×D	75×22.5×85 mm
------------------	---------------

**Commercial data**

country of origin	CZ
-------------------	----

customs tariff number	85364900
-----------------------	----------

EAN	4048879027601
-----	---------------

eClass	27371001
--------	----------

Packaging unit	1
----------------	---